

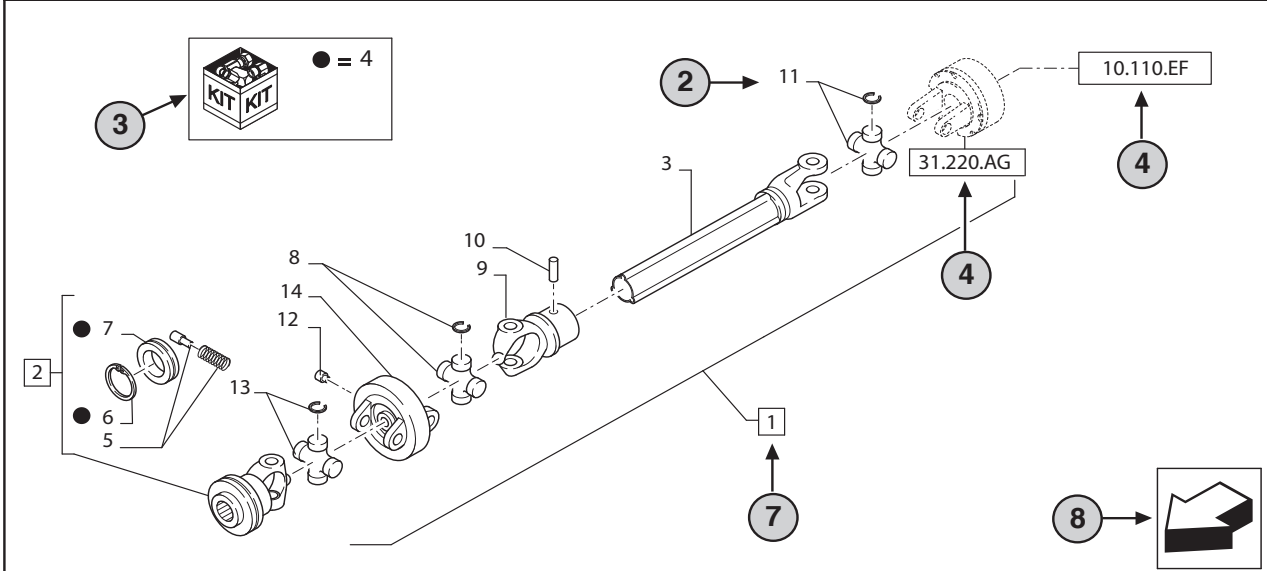
All rights reserved by **CNHi**.

The information contained in this catalogue is intended to be of a general nature only. **CNHi** may at any time and from time to time, for technical or other necessary reasons, modify any of the details or specifications of the product described in this catalogue.

To be sure of getting accurate, detailed and up-to-date information, an intending buyer should consult his nearest **CNHi** dealer or distributor.

Single item numeration method used in this catalogue may not be used without written consent from **CNHi**.

VAR - 123782, 789101,987654 - PTO - D650



STANDARD ← 6

VAR - 123782, 789101,987654 - PTO - D650

11 12 13 14

REF	FN	PART NUMBER	YR/SN	QTY	DESCRIPTION
1	1	86529340	↑ 20	1	SHAFT PTO, Incl 2 - 11
2	15	84014007		1	YOKE, Incl 4 - 7 ← 7
3	16	NSS		1	NOT SERVICED SEPARATELY, SHAFT, 350mm, Incl in 1
4		84004292		1	KIT, Seal Kit, Incl 6, 7 ↑ 17
4		{84058743}		1	KIT, Seal Kit, Incl 6, 7
2	18		↑ 21		
	19		↑ 22		
		1 = FOR ITALY ONLY ← 5			

MODELS ← 1


- 1 Model Number and Model Description
- 2 Reference - Figure call-out of the part number.
- 3 Parts supplied in repair kits per symbol reference.
- 4 31.220.AD Part illustrated on the **Page** or in the **Figure** indicated, or calls for **Variations** or **Details**. Indicates components shown in detail elsewhere in the catalogue under the figure number shown.
- 5 Footnote references
- 6 Figure notes
- 7 1 2 Includes item(s) (See Description within partlist).
- 8 Orientation. (Arrow indicates front of the machine). 
- 9 Figure description.
- 10 General information of the figure.
- 11 Figure title number that aligns with the SRT. Standard Repair Time.
- 12 **Sequence** code within the assembly.
- 13 Page number within the sequence code.
- 14 **Date** of printing or updating of page (month-year).
- 15 **Note** - Relating to the Part Number. There is a key to symbols and abbreviations at the bottom of the text page.
- 16 Non-serviced parts.
- 17 Further description of the part to help confirm identification.
- 18 Not available as service part.
- 19 Part Number.
- 20 To be defined.
- 21 Total **Quantity** of the Part referred to in the page.
The quantity can be replaced by the following indications:
AR = quantity as requested.
- 22 Part **Description**.
- 23 Variant Codes

TABLE OF CONTENTS

06A01	CYLINDER BLOCK
06B01	CAMSHAFT
06C01	CYLINDER HEAD - BSN HK30000
06C01	CYLINDER HEAD - ON & ASN HK30001
06D01	CRANKSHAFT & PISTONS
06E01	TIMING GEAR CASE
06F01	OIL PUMP, WATER PUMP, ALTERNATOR
06G01	AIR CLEANER & MUFFLER
06H01	ENGINE GASKET KIT
09A01	TANK & RELATED PARTS
09B01	THROTTLE CONTROLS, HAND
09B02	THROTTLE CONTROLS, FOOT
09C01	INJECTION PUMP & LINES
09C02	INJECTION PUMP
09C03	FUEL INJECTOR ASSY.
07A01	CLUTCH & CLUTCH CASE, W/9 X 3 TRANSMISSION, SINGLE
07A02	CLUTCH & CLUTCH CASE, W/9 X 3 TRANSMISSION, DOUBLE
07A03	CLUTCH ASSEMBLY, DOUBLE, 9 X 3 W/LIVE PTO
07A04	CLUTCH & CLUTCH CASE, W/HST
07C01	FRONT TRANSMISSION CASE & SHIFTER, W/9 X 3
07C02	FRONT TRANSMISSION GEARS & SINGLE CLUTCH IN PUT SHAFT 2WD W/9 X 3
07C03	FRONT TRANSMISSION GEARS FWD W/9X3
07C03A	FRONT TRANSMISSION DUAL CLUTCH IN PUT SHAFT FWD W/9 X 3
07C04	FRONT TRANSMISSION GEARS W/9 X 3 & FWD
07C05	REAR TRANSMISSION GEARS, W/9 X 3
07D01	FRONT TRANSMISSION CASE & SHIFTER, W/HST
07D02	FRONT TRANSMISSION GEARS, W/HST
07D03	REAR TRANSMISSION GEARS, W/HST
07E01	REAR TRANSMISSION CASE & SHIFTER 9 X 3 & HST
07F01	PTO GEARS
07F02	MID PTO - STD W/HST & OPTIONAL W/ 9 X 3 - 710801036
07G01	AERATION PARTS
07I01	HST ASSEMBLY
07I01A	HST - ON & ASN HK17443

TABLE OF CONTENTS

07I02		HST CONTROLS
07I03		HST CRUISE CONTROL KIT
07J01		COLUMN SHIFT & ACCELERATOR LEVER
07J02		LEVERS - GEAR SHIFT
07K01		PEDALS, STEPS & PLATFORM, R.H.
07K02		PEDALS, STEPS, PLATFORM, L.H. & CLUTCH STOPPER KIT
07K03		STEP KIT, RH & LH
08A01		RADIATOR
04A01		BRAKE & WHEEL SHAFT CASE
04B01		DIFFERENTIAL & DIFFERENTIAL LOCK LINKAGE
11A01		WIRING HARNESS
11A01A		OHIO LIGHT KIT - USED ON & ASN HK14462
11A02		RELAYS
11A02A		RELAYS - SN HK34733 & ABOVE
11B01		BATTERY
11C01		ALTERNATOR ASSY.
11D01		STARTING MOTOR
03A01		FRONT AXLE W/2WD
03A02		STEERING LINKAGE, W/2WD
03B01		FRONT AXLE W/FWD
03B02		FRONT DIFFERENTIAL GEARS, W/FWD
03B03		FINAL REDUCTION GEARS, W/FWD
03C01		STEERING COLUMN, GEARBOX & PIPING W/POWER STEERING
03C02		POWER STEERING PUMP
03C03		POWER STEERING CYLINDER ASSY. W/2WD
03C04		POWER STEERING CYLINDER ASSY. W/FWD
03C05		POWER STEERING MOTOR
05A01		HYDRAULIC LIFT COVER & ARMS
05B01		LIFT COVER CYLINDER HEAD ASSY.
05C01		CONTROL VALVE, QUADRANT & LINKAGE
05D01		REMOTE CONTROL VALVE & PIPING KIT - 718348036
05D01	A	REMOTE CONTROL VALVE ASSEMBLY
05E01		HYDRAULIC PUMP & PIPING
05F01		HYDRAULIC PIPING W/HST

TABLE OF CONTENTS

05F02		HYDRAULIC PIPING W/HST - ON & ASN HK17443 (05/15/03)
05G01		HPL CONTROL VALVE ASSEMBLY
05H01		HPL CONTROL VALVE ASSEMBLY - ON & ABOVE PIN HK13068
05H02		2-SPOOL REMOTE CONTROL VALVE & PIPING KIT - 710440016
05H02	A	2-SPOOL REMOTE CONTROL VALVE ASSEMBLY
05J01		DRAWBAR KITS
05K01		MANIFOLD DIVERTER BLOCK - SBA340015500
05K02		MANIFOLD DIVERTER BLOCK ON & ABOVE P.I.N. HK33383 - SBA340016660
10A01		HYDRAULIC PUMP
14A01		FENDERS & RELATED PARTS
14B01		HOOD & RELATED PARTS
14C01		TOOLBOX
14D01		WORKLIGHTS
09.01		ECONOMY 3PT HITCH ASSY. & PTO SHIELD
09.01	01	THREE POINT LINKAGE
09.02		DELUXE 3PT HITCH ASSY. & PTO SHIELD
09.03		DELUXE DRAWBAR ASSEMBLY
09.04		DRAWBAR KITS
01A01		FRONT & REAR WHEELS
01A02		FRONT END WEIGHTS
01A03		REAR WHEEL WEIGHTS, 105 LBS., AG BAR WHEELS ONLY
01A04		REAR WHEEL WEIGHTS, 75 LBS., R4 INDUSTRIAL WHEELS ONLY
01A05		BALLAST BOX
12A01		INSTRUMENT PANEL
12B01		DASHBOARD
16A01		DECALS, SAFETY
16A02		DECALS, INSTRUCTION
16A03		DECALS, INSTRUCTION
16A04		DECALS, IDENTIFICATION
13A01		SEAT BRACKET
13A01	01	SEAT ASSEMBLY
13A01	02	SEAT ASSEMBLY
13A02		SEAT BRACKET - SN HK30001 & ABOVE
13B01		ROLLBAR, SEAT & SEAT BELT

TABLE OF CONTENTS

05.100.01		INITIAL STOCKING LIST (LIST A)
05.100.03		FILTER & CAPACITIES, TC30
05.100.03	01	FILTERS
05.100.03	02	CAPACITIES
05L01		TRANSMISSION OIL HEATER KIT - 87379951
11A03		WORKLIGHTS - FENDER MOUNTED
11A04		WORKLIGHT KIT - ROPS MOUNTED
17A01		SOFT SIDE CABS & FOPS/CANOPY - 710660046 & 718857006
17B01		FRONT BUMPER ASSEMBLY

SECTION INDEX

ENGINE

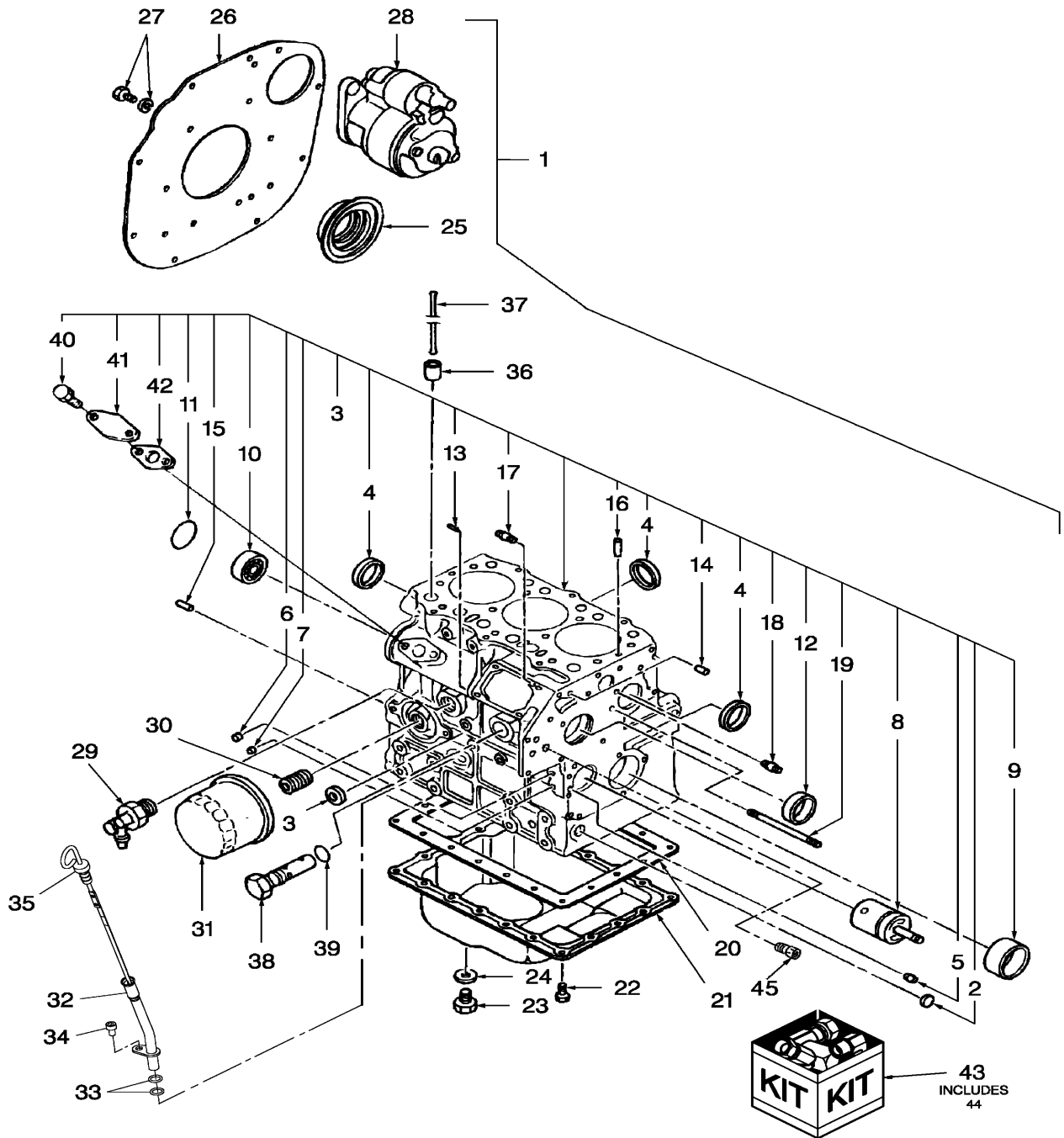
06A01	CYLINDER BLOCK
06B01	CAMSHAFT
06C01	CYLINDER HEAD - BSN HK30000
06C01	CYLINDER HEAD - ON & ASN HK30001
06D01	CRANKSHAFT & PISTONS
06E01	TIMING GEAR CASE
06F01	OIL PUMP, WATER PUMP, ALTERNATOR
06G01	AIR CLEANER & MUFFLER
06H01	ENGINE GASKET KIT

06A01

p1

7/2018

CYLINDER BLOCK



Complete engines are typically not available. Recommendation is to order the Long Block.

Removed Parts from complete engine for Long Block

Flywheel
Damper Disk
Starter

CYLINDER BLOCK

REF	FN	PART NUMBER	YR/SN	QTY DESCRIPTION
1	1	SBA139171		1 ENGINE Engine Assy.Long Block Tier 1
1		SBA139171R		1 REMAN-REPLACEMENT EN Engine Assy.Long Block Tier 1. USED BEFORE PIN HK30001
1		SBA139171C		1 CORE-REPLACEMENT ENG Return Number
1		SBA139171ER		1 REMAN-REPLACEMENT EN TC30 3 Cyl. Before S/N HK30001 Tier 1 (9/01)
1		SBA139171EPAC		1 CORE-EPA ENGINE Return Number
1	2	SBA139188		1 ENGINE Engine Assy Long Block Tier 2
1		SBA139188ER		1 REMAN-REPLACEMENT EN TC30, 3 Cylinder, Tier 2, Nat. Asp., Used On & Above PIN HK30001, Long Block Engine
1		SBA139188EPAC		1 CORE-EPA ENGINE Return Number
1		SBA139188R		1 EXCHANGE ENGINE Remanufactured Tier 2 Long Block Engine
1		SBA139188C		1 CORE-ENGINE Return Number, Engine Assy., Long Block, Tier 2
1A		SBA110107163		1 CYLINDER BLOCK Bare Block Includes: Ref. 2 thru 20 & 41 thru 43
2		SBA064210015		1 CAP 015 mm
3		SBA064210025		1 PLUG 25mm
4		SBA064210040		4 CAP 40mm
5		SBA198466010		2 PLUG Blank, 8.4mm
6		SBA198466020		3 PLUG Blank 10.4mm
7		SBA198466030		3 PLUG Blank,6.5 x 7mm
8		SBA165296131		1 SHAFT Idler Gear, Includes Shaft SBA140196072
9	3	SBA198517220		1 BUSHING Standard
(1)		USED BEFORE PIN HK30001		
(2)		USED ON & ABOVE PIN HK30001		
(3)		Included in Long Block		

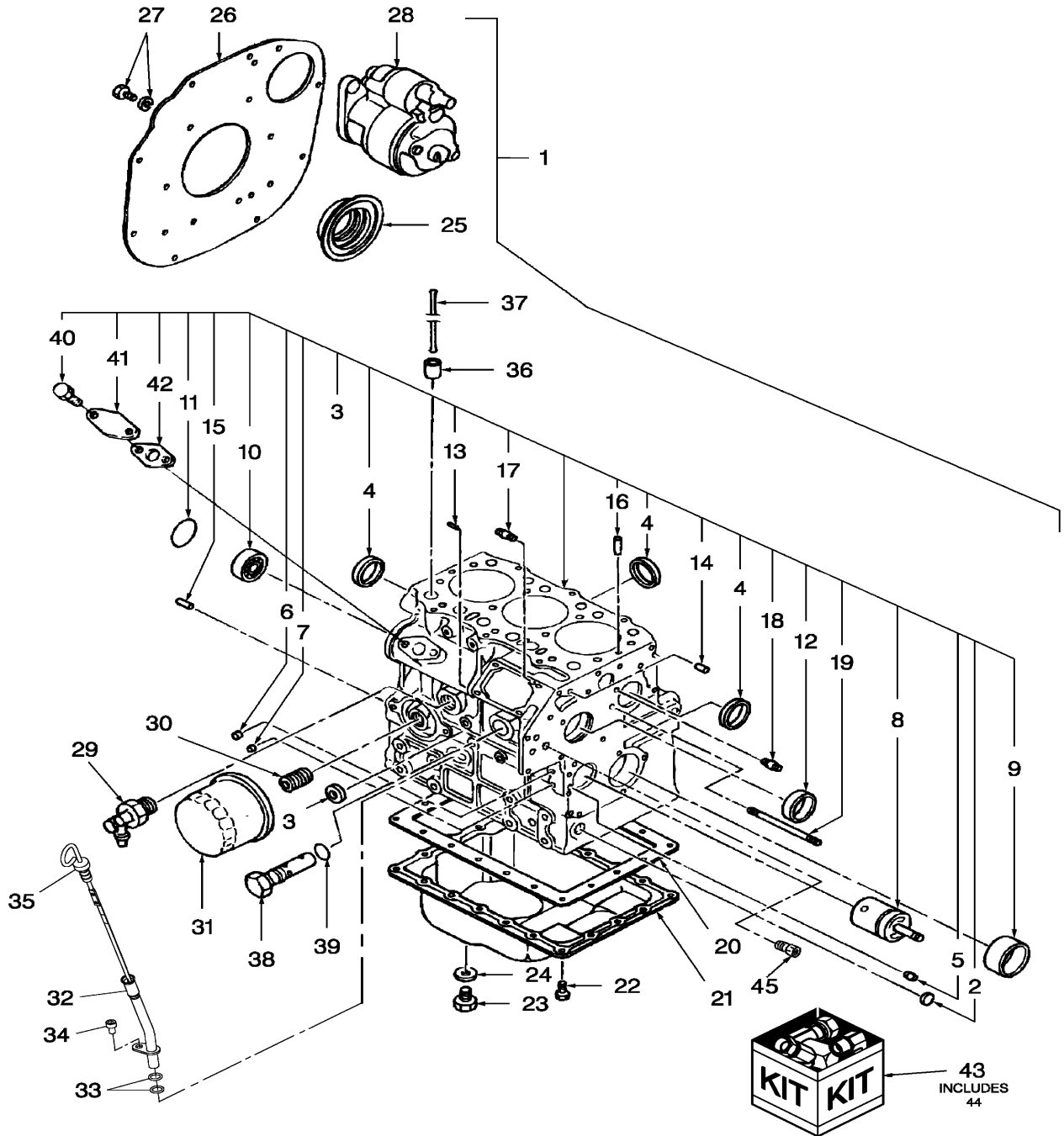
TC30-3 CYL COMPACT TRACTOR

06A01

p2

7/2018

CYLINDER BLOCK



Complete engines are typically not available. Recommendation is to order the Long Block.

Removed Parts from complete engine for Long Block

Flywheel
Damper Disk
Starter

CYLINDER BLOCK

REF FN	PART NUMBER	YR/SN	QTY DESCRIPTION
9	1	SBA198517224	1 BUSHING U.S., .010" or 0.25mm
9	1	SBA198517227	1 BUSHING U.S., .020" or 0.50mm
10		SBA040106203	1 BALL BEARING 17mm ID x 40mm OD x 12mm W #6203
11		SBA064100045	1 PLUG Expansion
12		SBA042309013	1 BEARING ASSY
13		SBA030500612	2 DOWEL
14		SBA030500616	2 DOWEL M6 x 16
15		SBA030501025	2 BALL STUD M10 x 25 L BALL PIN
16		SBA030309005	2 PIN Spring
17		SBA012110820	2 STUD
18		SBA012110635	1 STUD
19		SBA012110660	1 STUD
20		SBA110996820	1 GASKET
21		SBA110707950	1 ENGINE OIL PAN
22		SBA010109235	26 BOLT
23		SBA010411212	1 DRAIN PLUG M12 x 1.25 17 mm Wide
24		SBA025100012	1 WASHER 12.4mm ID x 19mm OD x 2mm Thk Seal
25		SBA198636170	1 SEAL Oil
26		SBA110367660	1 PLATE
27		SBA011510816	10 BOLT M8 x 16 M8 x 16
28	1	SBA185086551	1 STARTER MOTOR
28		SBA185086551R	1 REMAN-STARTER Remanufactured, Starter, 12 volt 1.2KW
28		SBA185086551C	1 CORE-STARTER Return Number
28		SBA185086551GV	1 STARTER MOTOR Value, 12 Volt 1.2kW
28A	2	SBA012111030	3 STUD M10 x 30 Used to Attach Starter to Block
28B	2	43140	2 BOLT Hex, M10 x 1.5 x 30mm, CI 8.8 Used to Attach Starter to Block
29		SBA198736270	1 DRAINCOCK/TAP SUPPLY Fitting
(1)	Not Included in Long Block		
(2)	Not Illustrated		

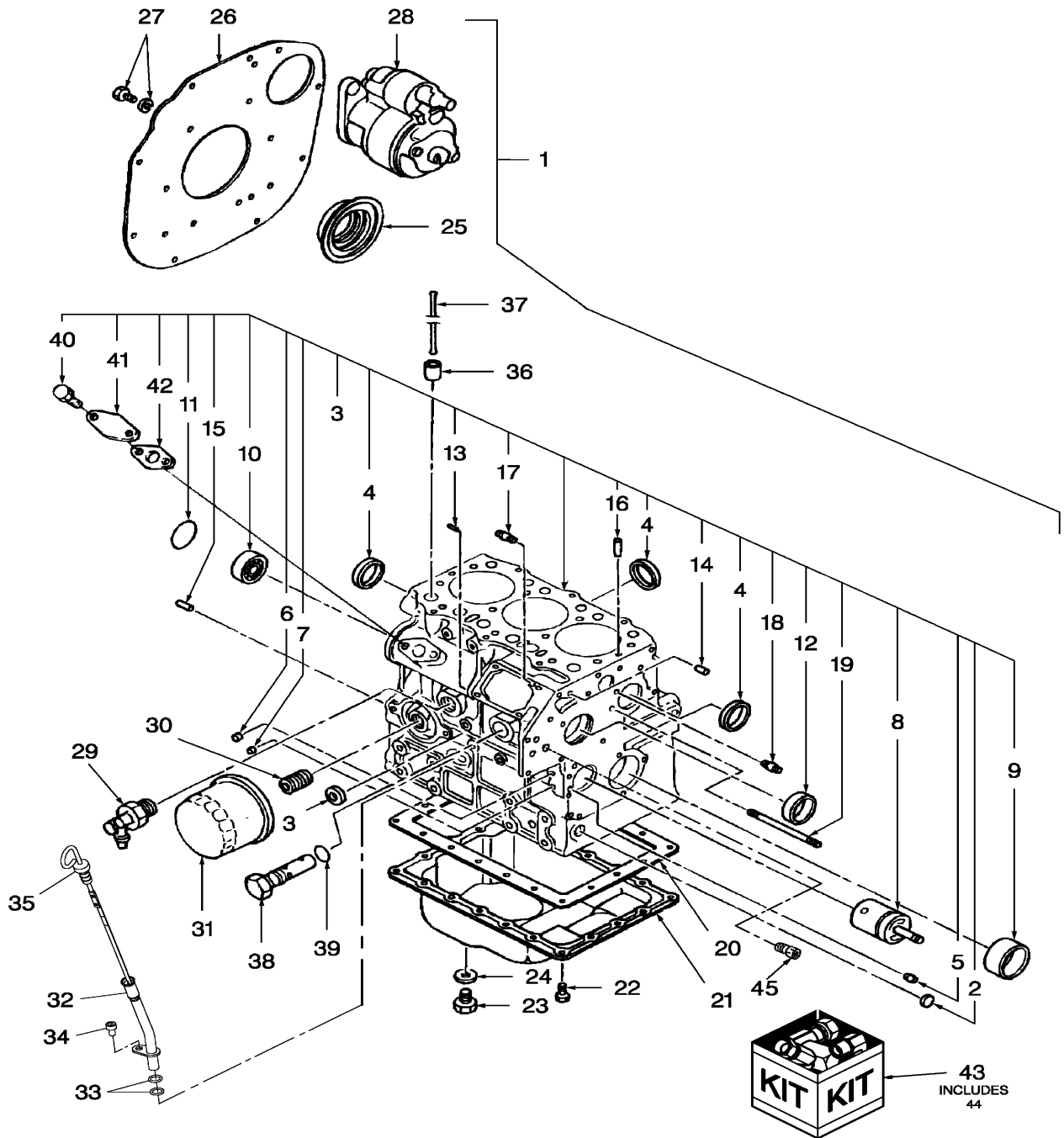
TC30-3 CYL COMPACT TRACTOR

06A01

p3

7/2018

CYLINDER BLOCK



Complete engines are typically not available. Recommendation is to order the Long Block.

Removed Parts from complete engine for Long Block

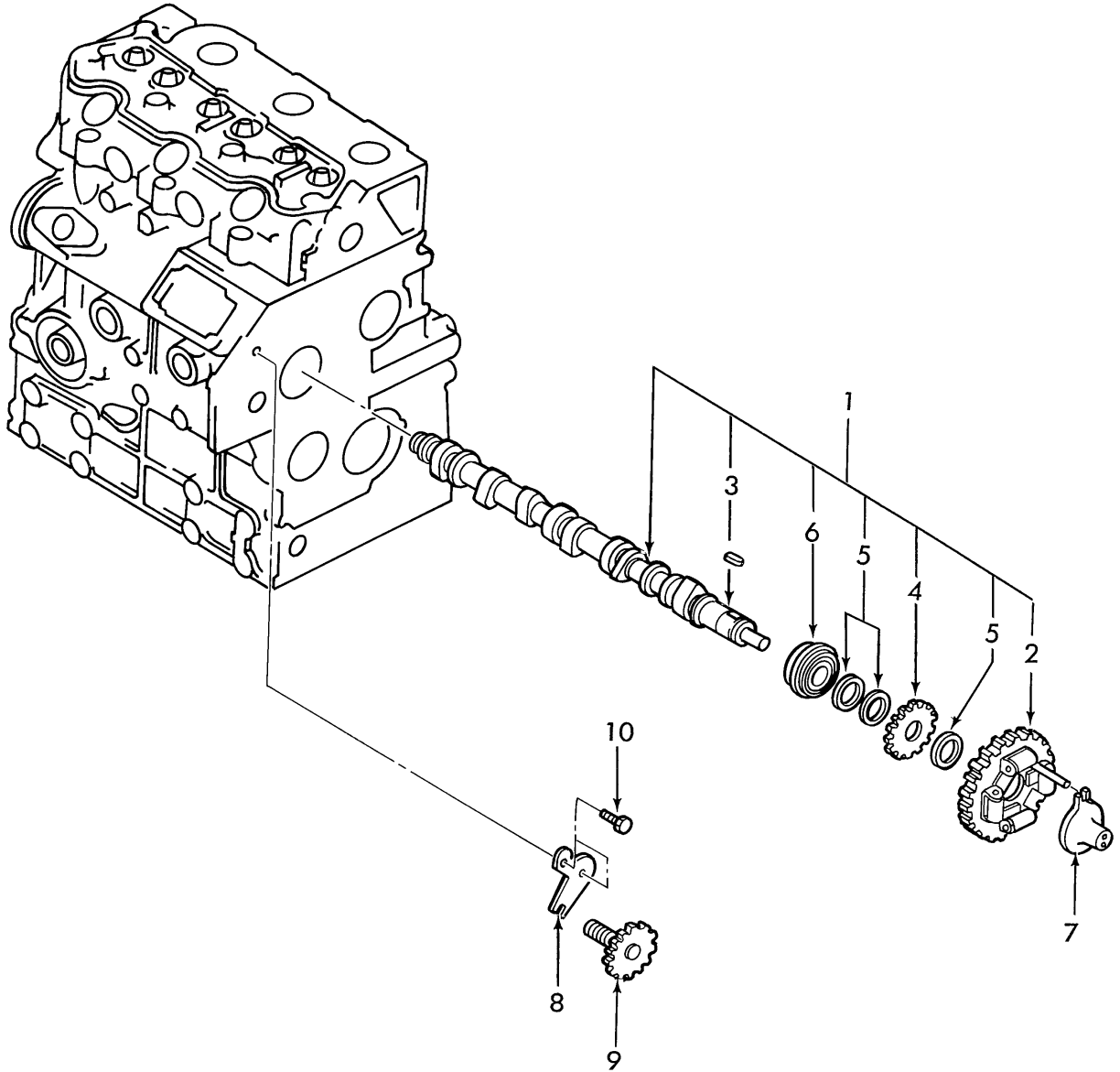
Flywheel
Damper Disk
Starter

CYLINDER BLOCK

REF FN	PART NUMBER	YR/SN	QTY DESCRIPTION
30	SBA140546020		1 ADAPTER
31	87415600		1 ENGINE OIL FILTER
32	SBA110756140		1 TUBE
33	SBA052100100		2 O-RING
34	SBA011310612		1 CAPTIVE WASHER SCREW Hex, M6 x 12, CI 8.8
35	SBA198416320		1 GAUGE Dipstick
36	SBA120116160		6 TAPPET
37	SBA120456250		6 PUSH ROD 7.97" Pushrod Assy., 7.95 lg.
38	SBA140036120		1 VALVE PRESSURE RELIEF
39	SBA052109078		1 O-RING 2.4mm Thk x 9.8mm ID
40	SBA011310612		2 CAPTIVE WASHER SCREW Hex, M6 x 12, CI 8.8
41	SBA165206640		1 COVER Plate
42	SBA130996130		1 GASKET
43	1 86590117		1 KIT Heater Engine Coolant, Includes: 5' Cord 86539137, Cable Tie 263117 & Ref. 44
44	1 NSS		1 NOT SOLD SEPARAT Heater Assy.
45	SBA198517090		1 BUSHING
(1)	Not Included in Long Block		

TC30-3 CYL COMPACT TRACTOR

CAMSHAFT



CAMSHAFT

REF FN	PART NUMBER	YR/SN	QTY DESCRIPTION
1	SBA120026350		1 CAMSHAFT Includes: Ref. 2 thru 6
	SBA120026350R		1 REMAN-CAMSHAFT TC30
	SBA120026350C		CORE-CAMSHAFT Return Number
2	SBA120016050		1 GEAR
3	SBA034100508		1 KEY
4	SBA120736081		1 GEAR
5	SBA199216230		3 SPACER
6	SBA040156304		1 BEARING ASSY
7	SBA125256120		1 SLIDE GUIDE
8	SBA199566651		1 PLATE
9	SBA120076070		1 GEAR Tachometer
10	SBA011310612		2 CAPTIVE WASHER SCREW Hex, M6 x 12, CI 8.8

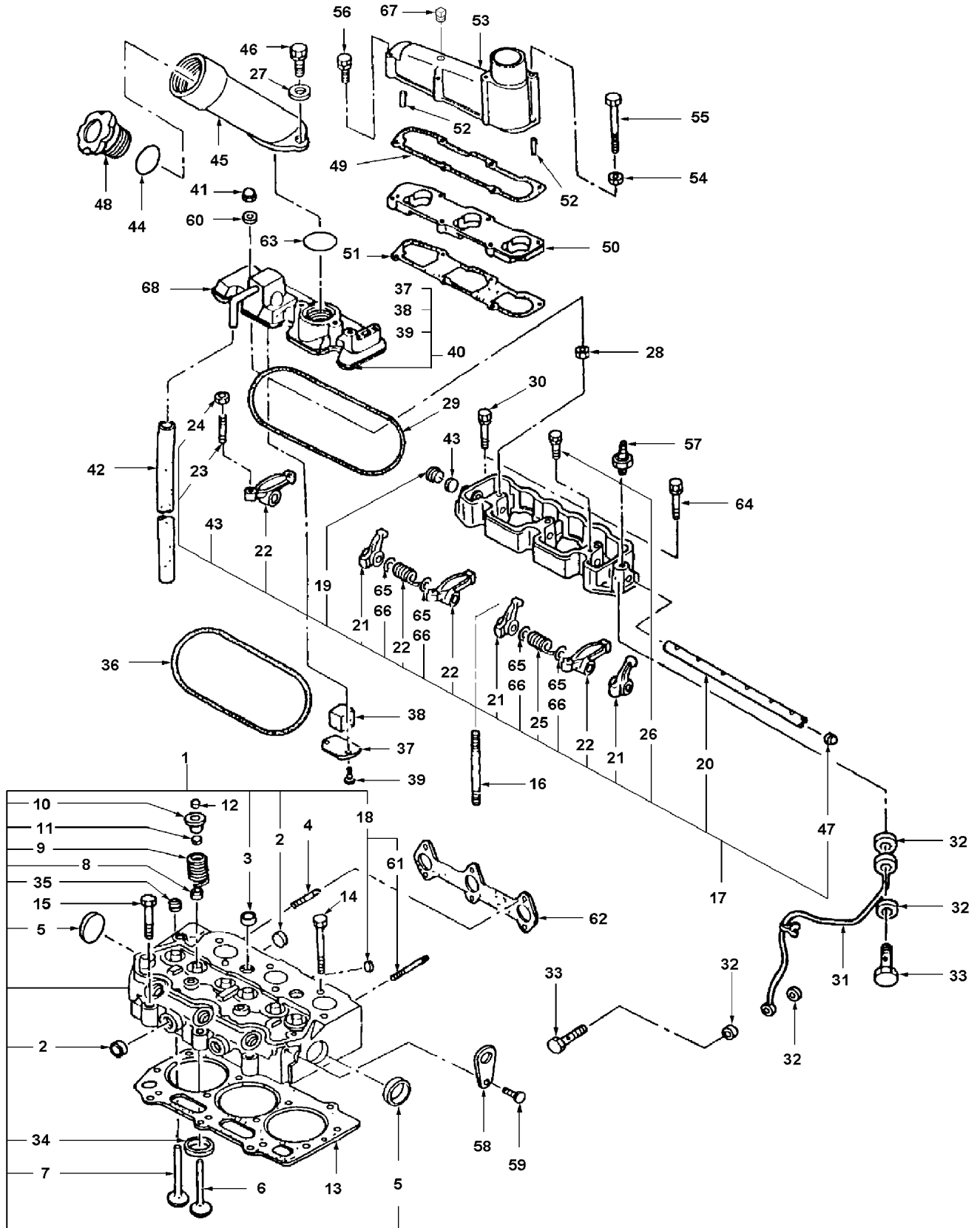
TC30-3 CYL COMPACT TRACTOR

06C01

p1

7/2018

CYLINDER HEAD - BSN HK30000



**Thanks very much for your reading,
Want to get more information,
Please click here, Then get the complete
manual**

JustClickHere 

NOTE:

**If there is no response to click on the link above,
please download the PDF document first, and then
click on it.**

**Have any questions please write to me:
admin@servicemanualperfect.com**